

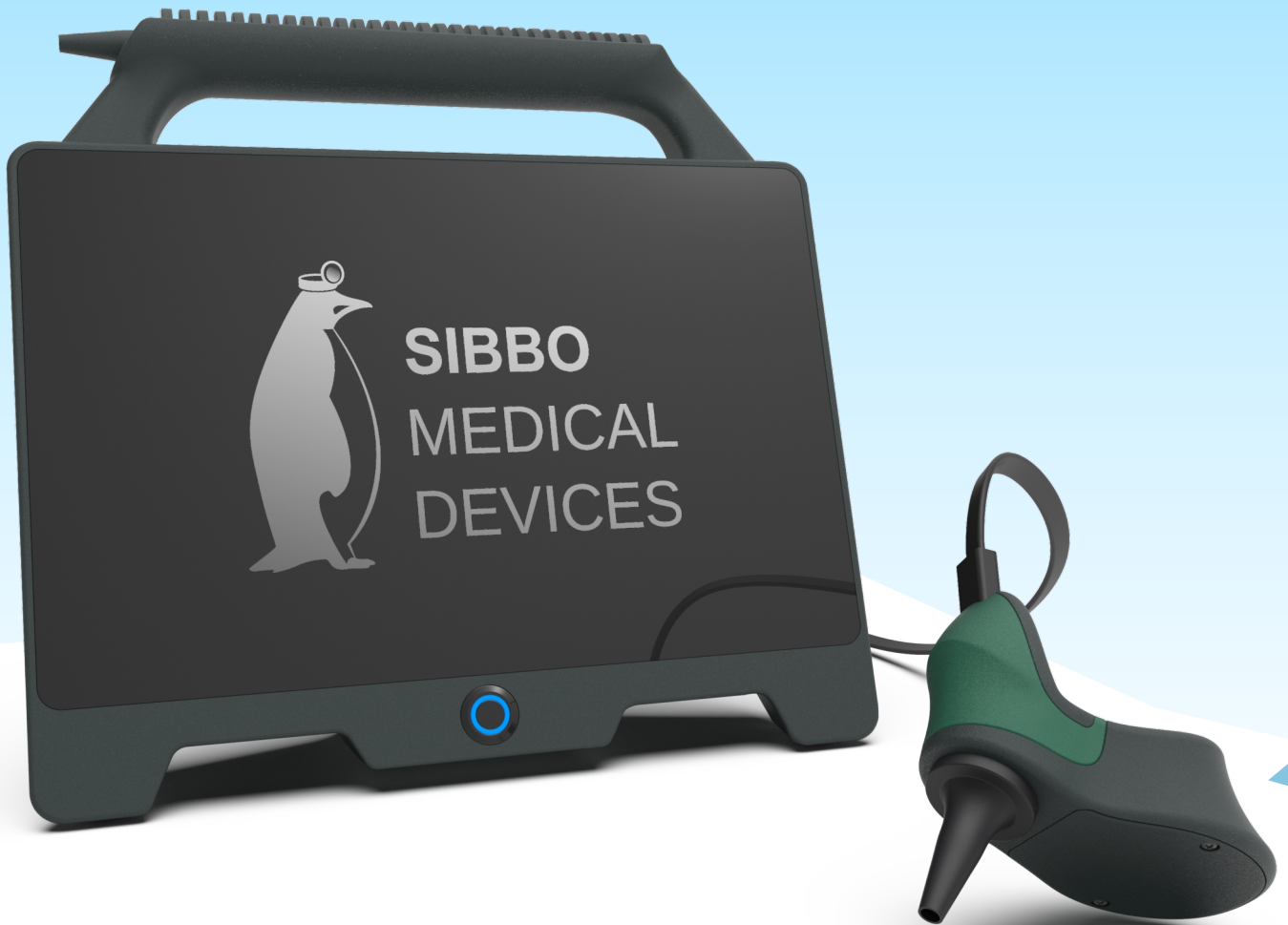
QUICK GUIDE

Sibbo MD Monitor

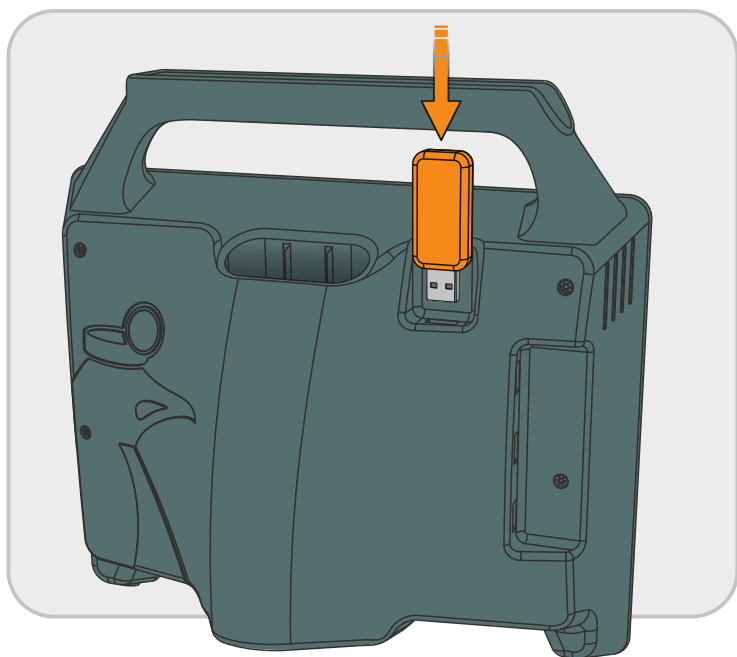
SM-001-HV

EarPenguin Digital Otoscope

DEP-001-H

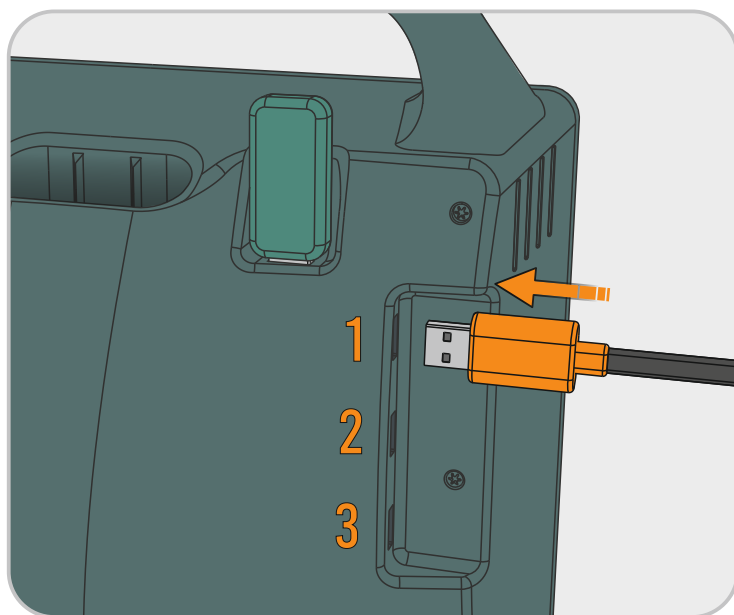



GETTING STARTED



Insert a USB memory stick into the topmost USB slot.

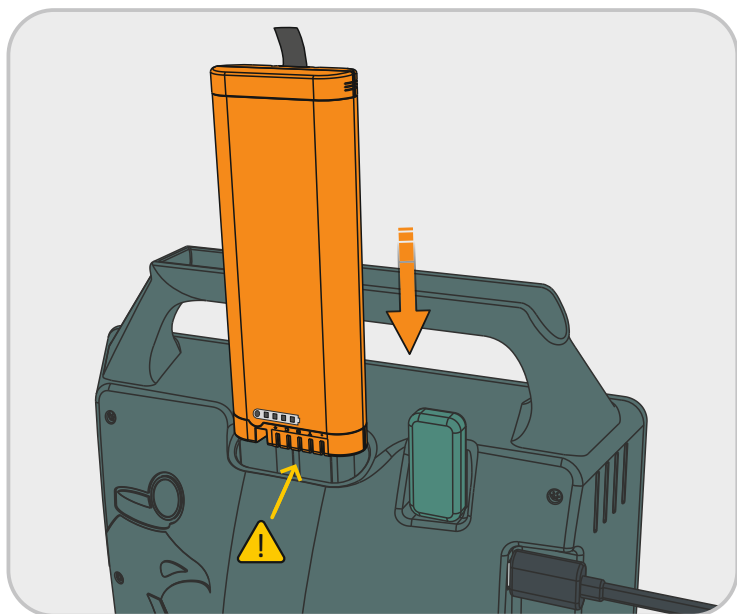
Connect camera(s) to one of three slots at the back of the monitor.
Nro. 1 slot will be active after startup by default.



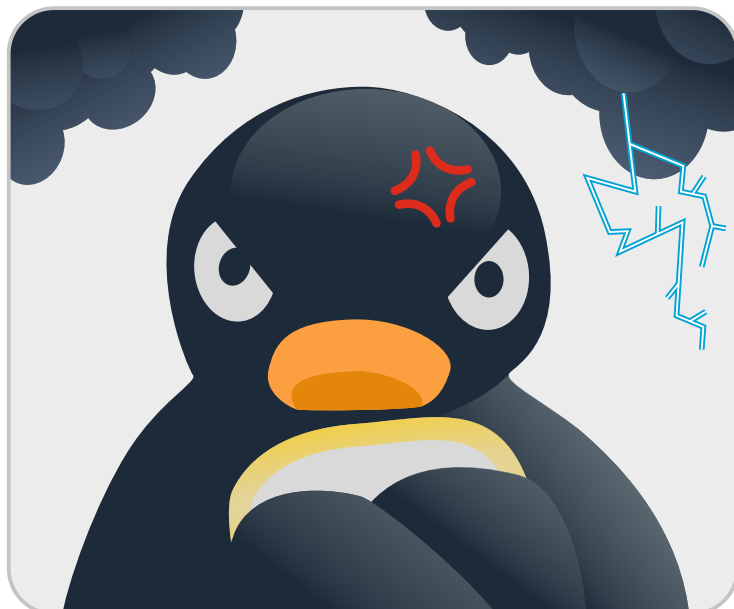
Slide the battery in place. Monitor will startup after battery is connected.  Notice correct installation orientation

! DO NOT pull out the battery to turn the monitor off !

This will sooner or later cause damage to the system and void warranty



Startup will take aprox. 1min... have patience. :)

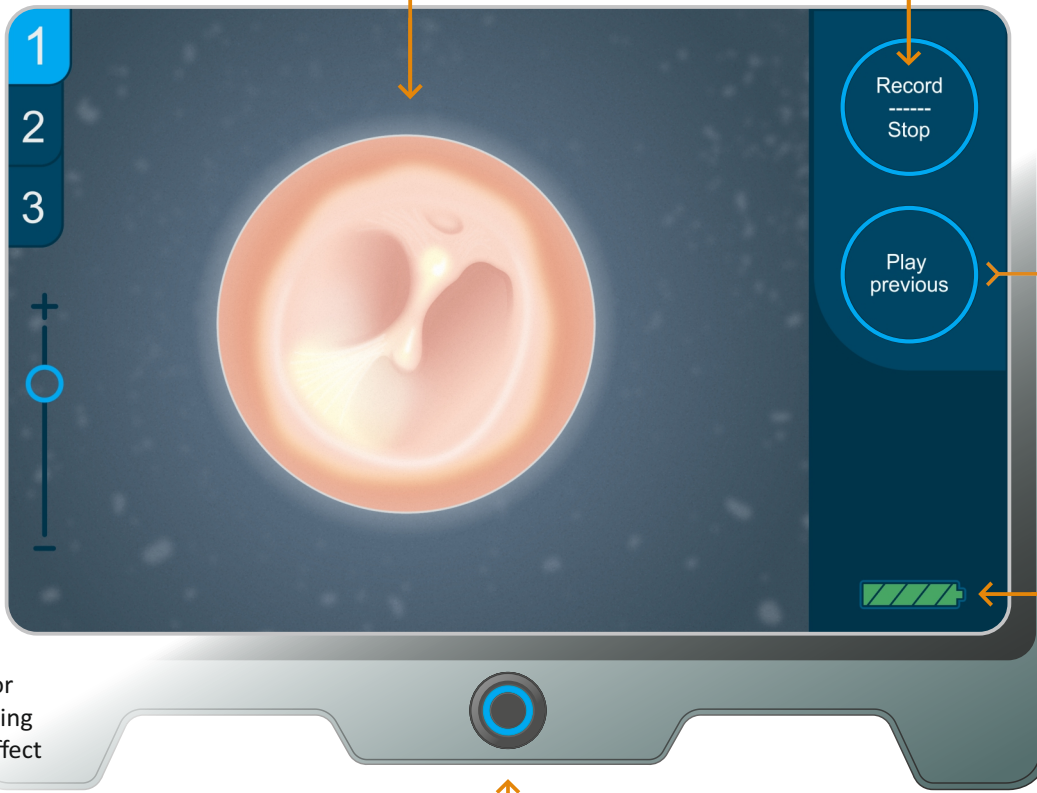


USER INTERFACE

When a camera or multiple cameras are connected, the monitor will show live footage from the selected camera/USB slot.

Selecting tab 1,2 or 3, power the USB slots in the order depicted.

Pressing "Record" will record 15 second video file, or shorter if Stop is pressed.
This requires a USB memory stick to be connected at the back of the monitor

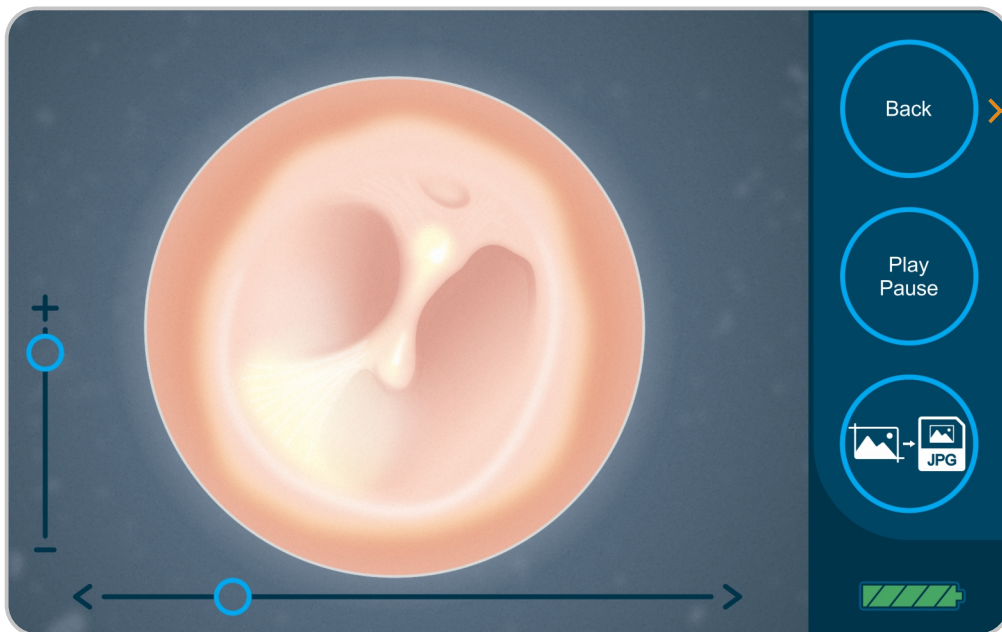


Press to view previous video.

Battery charge level. Monitor will shutdown with a 2 minute warning before battery is fully drained.

Zoom can be adjusted either with the slider or incrementally by pressing + or -. Zoom will not affect the recorded video.

Long press... 3 sec. will turn the monitor off.
Short press of the power button causes monitor to go to standby mode -> LED light starts to blink.
Monitor can be waken up from standby by touching the screen or pressing powerbutton.



Switch back to live view.

Play or Pause video.

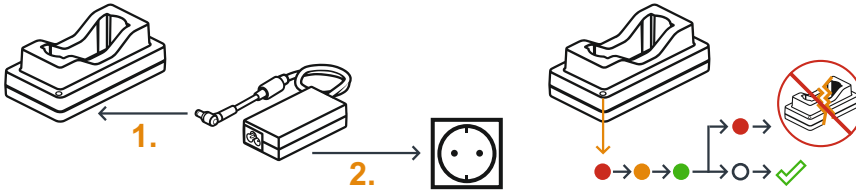
Save a picture as a JPG to the USB memory stick.

Zoom can be adjusted and will affect pictures saved.

Slider can be used to find right spot on the video. < and > can be used to view video frame by frame.

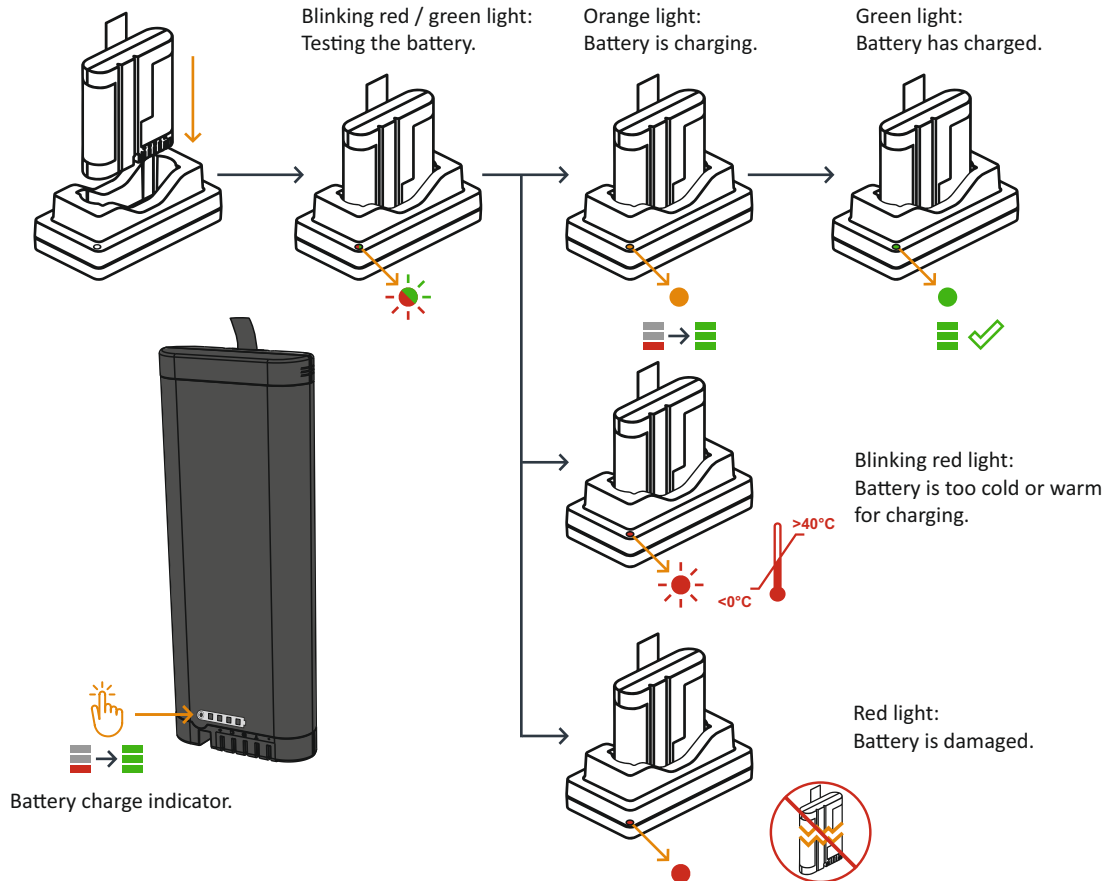
**Clean the EarPenguin devices by wiping them with a clean cloth and 70% -isopropanol.
Use a damp cloth, do not soak.**

PLUGGING IN THE CHARGER



When plugged, the charger tests itself. After cycling through; red, orange, green, no light means the charger is ready to use. Red light indicates a problem with the charger.

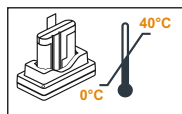
CHARGING THE BATTERY



INTENDED USE

The EarPenguin otoscope system consists of the EarPenguin optical otoscope and the EarPenguin digital otoscope to be used with the Sibbo MD monitor. The EarPenguin otoscopes can be used together or as separate stand-alone devices. The EarPenguin otoscopes are intended to be used by clinicians and medically qualified personnel to visualize and capture recordings (digital otoscope only) of the external ear, ear canal and tympanic membrane on pediatric and adult patients.

Report any serious incidents related to the device immediately to the manufacturer and your local Competent Authority.



Sibbo Medical Devices Oy

Hitsaajankatu 22
00810, Helsinki
Finland
info@sibbomedicaldevices.com

- ⚠ Do not replace the batteries within the device. Incorrect replacement may cause a fire and serious injury.
- ⚠ No modification of this equipment is allowed.
- ⚠ Only use batteries supplied with the monitor.
- ⚠ Only charge the monitor batteries with the provided charger.